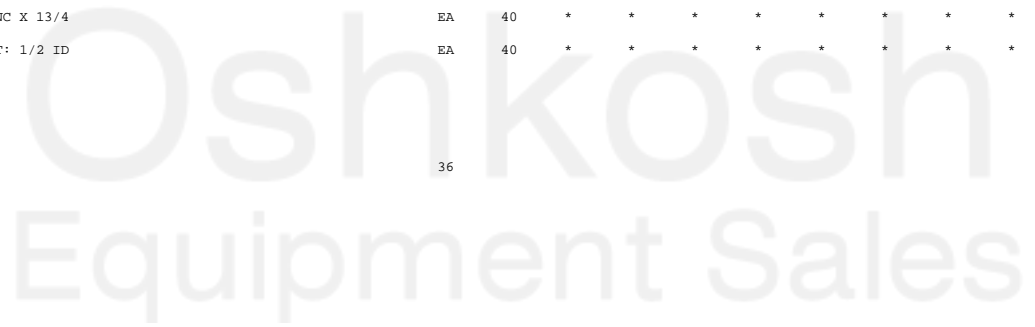


Current part is item (1) on diagram. Available at www.oshkoshequipment.com

(1)	(2)	(3)	(4)	(5)	(6)				(7)			(8)			(9)	(10)	
SMR	FEDERAL	DESCRIPTION	UNIT	QTY	15-DAY ORGANIZATION				30-DAY DS			30-DAY GS			1-YR. ALW	ILLUSTRATION	
CODE	STOCK		OF	INC	MAINTENANCE				MAINTENANCE			MAINTENANCE			PER 100	(A)	(B)
	NUMBER		MEAS	IN	ALLOWANCE				ALLOWANCE			ALLOWANCE			EQUIP	FIG	ITEM
		REFERENCE NUMBER & MFR CODE	USABLE ON CODE	UNIT	(A)	(B)	(C)	(D)	(A)	(B)	(C)	(A)	(B)	(C)	PLANNING	NO	NO
					1-5	6-20	21-50	51-100	1-20	21-50	51-100	1-20	21-50	51-100			
PAOZZ	2530-021-2366	1208-EMERGENCY-RELAY VALVE VALVE, RELAY, AIR BRAKE: EMERGENCY BREAKAWAY MS53004-2 (96906)	EA	1	*	*	*	*	*	*	*	*	*	*		24	1
PAOZZ	5310-637-9541	WASHER, LOCK, SPLIT: 3/8 ID (VALVE MTG) MS35338-46 (96906)	EA	2	*	*	*	*	*	*	*	*	*	*		24	2
PAOZZ	5310-732-0559	NUT, PLAIN, HEX: 1/8-24UNF-2B (VALVE MTG) MS51968-8 (96906)	EA	2	*	*	*	*	*	*	*	*	*	*		24	3
PAOZZ	5305-269-2806	SCREW, CAP, HEX HD: 1/8-24UNF-2A X 13/8 (VALVE MTG) MS90726-63 (96906)	EA	2	*	*	*	*	*	*	*	*	*	*		24	4
PAOZZ	4830-118-8589	VALVE, RELAY: EMERGENCY BREAKAWAY MS53004-1 (96906)	EA	1	*	*	*	*	*	*	*	*	*	*		24	5
PAOZZ	4730-069-1186	ADAPTER: STRAIGHT, PIPE TO TUBE, W/NUT & SLEEVE, 1/4 NPTF, 3/8 TUBE MS39179-5 (96906)	EA	1	*	*	*	*	*	*	*	*	*	*		24	6
PAOZZ	4730-069-1187	ELBOW: PIPE TO TUBE, W/NUT & SLEEVE, 1/4 NPTG, 3/8 TUBE MS39182-3 (96906)	EA	2	*	*	*	*	*	*	*	*	*	*		24	7
PAOZZ	4730-289-0155	ELBOW: PIPE TO TUBE, W/NUT & SLEEVE, 3/8 NPTG, 3/8 TUBE MS39182-5 (96906)	EA	1	*	*	*	*	*	*	*	*	*	*		24	8
PAOZZ	4730-701-7678	ELBOW: PIPE TO TUBE, W/NUT & SLEEVE, 3/8 NPTG, 1/2 TUBE MS39182-6 (96906)	EA	1	*	*	*	*	*	*	*	*	*	*		24	9
PAOZZ	4730-069-1187	ELBOW: PIPE TO TUBE, W/NUT & SLEEVE, 1/4 NPTG, 3/8 TUBE MS39182-3 (96906)	EA	2	*	*	*	*	*	*	*	*	*	*		24	10
PAOZZ	4730-253-4412	ELBOW: STREET PIPE TO TUBE, 1/4 NPTF, 3/8 TUBE 144112 (80212)	EA	4	*	*	*	*	*	*	*	*	*	*		24	11
		GROUP 13-WHEELS, HUBS AND DRUMS															
		1311-HUB AND DRUM ASSEMBLY	B,C														
PAOZZ	2530-740-9553	RING, WIPER: OIL SEAL, 4.639 ID, 4-15.16 OD 7979266 (19207)	EA	4	*	*	*	*	*	*	*	*	*	*		25	1
PAOZZ	5306-740-9389	BOLT, RIBBED SHOULDER, HEX HD: 7/16- 20NF-3 X 1 1/2 7409389 (19207)	EA	40	*	*	*	*	*	*	*	*	*	*		25	2
PAOZZ	5306-752-1631	BOLT, MACH: 1/2-13NC X 13/4 7521631 (19207)	EA	40	*	*	*	*	*	*	*	*	*	*		25	3
PAOZZ	5310-584-5272	WASHER, LOCK, SPLIT: 1/2 ID MS35338-48 (96906)	EA	40	*	*	*	*	*	*	*	*	*	*		25	4



Current part is item (1) on diagram. Available at www.oshkoshequipment.com

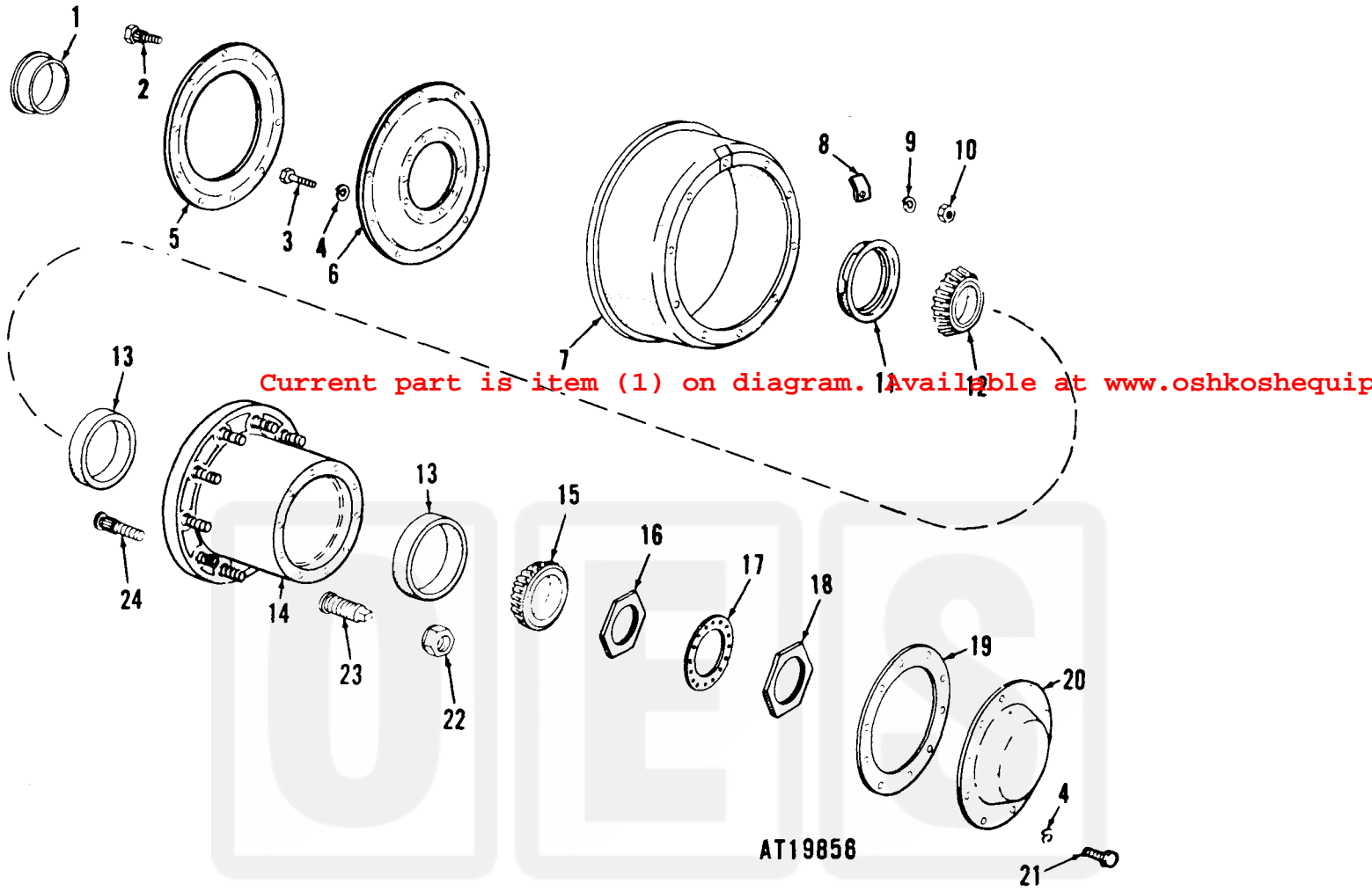


Figure 25. Hub and drum assembly—M269, M270.

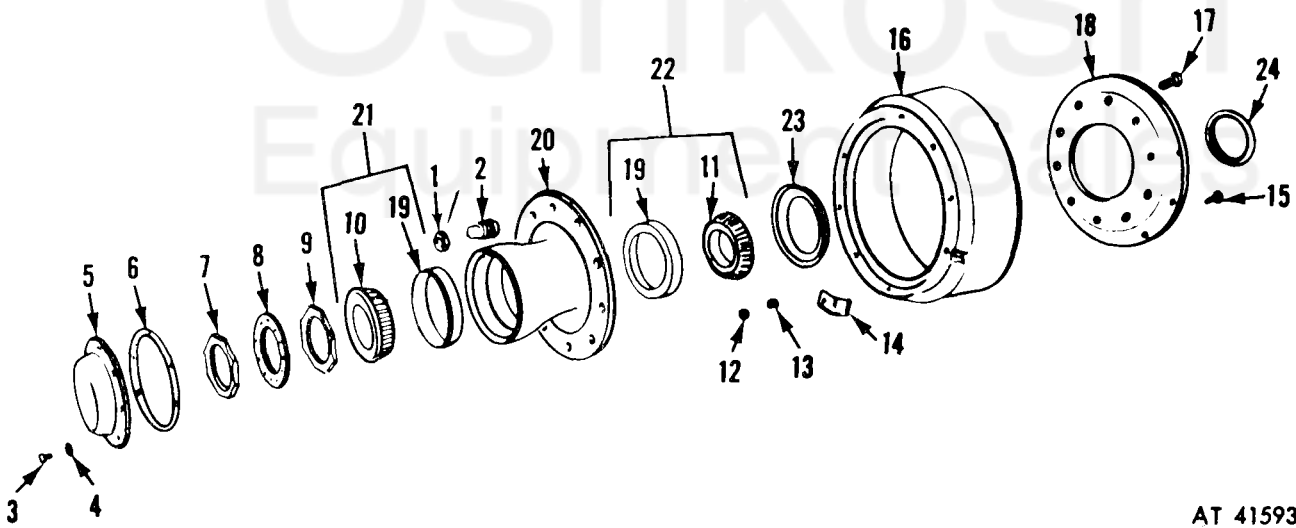


Figure 26. Hub and drum assembly—269A1, M270A1.